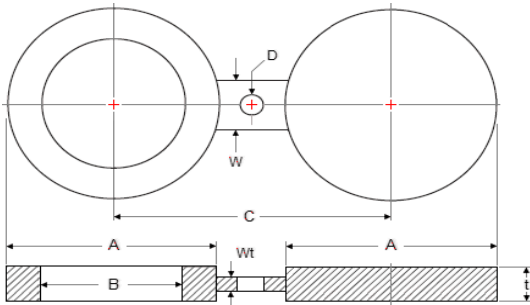


ANSI/ASME B16.48 CLASS 2500 SPECTACLE BLIND FLANGES



Nominal Pipe Size	O.D.	I.D.	Center Line	Thickness	Web Width
inch	A	B	C	t	W
01.Feb	67	16	90	9.7	38
03.Apr	73	21	95	9.7	41
1	83	27	110	9.7	64
1.1/4	102	35	130	12.7	64
1.1/2	114	41	145	15.7	70
2	143	53	170	15.7	70
2.1/2	165	63	195	19.1	76
3	194	78	230	22.4	76
4	232	102	275	28.4	89
5	276	128	325	35.1	89
6	314	154	370	41.1	89
8	384	198	440	53.8	102
10	473	248	540	66.5	114
12	546	289	620	79.2	114